



## REARLOAD



- Heavier Duty Standard Specs
- Safe & Easy to Load
- Custom Sizes & Styles Available
- Replacement Bottoms for Old Container

## THE BOX GANG Advantage

## STANDARD Features



### Casters & Drain Plug

1 3/4" Drain plug on all containers. Set of four casters on 1.5—3 yard container sizes. Quick release caster pads with 2 rigid and 2 swivel casters.



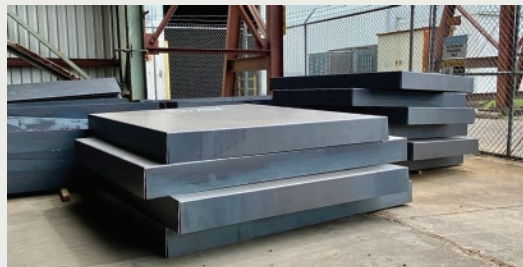
### HD Trunnion Bar & Striker Boxes

Heavy duty steel striker boxes and 1 1/2" trunnion bar on 1.5—3 yards and 1 3/4" on 4—8 yards.



### Optional Locks

Chain & Gravity locks are available to provide security for your customer.



### Repairs & Replacement Bottoms

Need repairs on your old containers? We build replacement bottoms and provide container repairs and painting

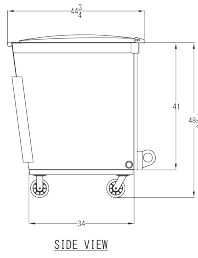
- 10 Gauge Floor
  - 12 Gauge Sides
  - 1 1/2" trunnion bar on 1.5—3 yards & 1 3/4" on 4—8 yards
  - Heavy Duty Striker Boxes
  - Set of Single Wall Poly Lids
  - Inside of trunnion bar continuously welded
  - Three 3" structural channel bottom runners on 4—8 yards, capped at front
  - 1" Solid steel rear lift hooks
  - 1 3/4" Drain with Foam Plug
  - Primed Inside & Outside
  - Enamel Based Paint Outside
- Any Color*

## Options

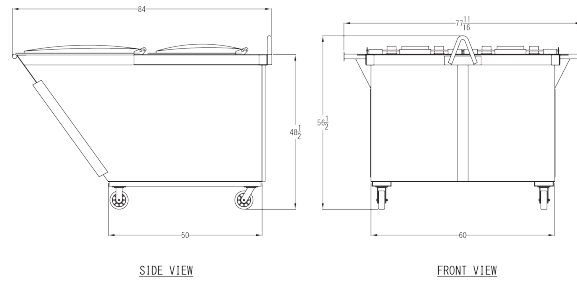
- Custom Built Containers
- Heavy or Light Duty Specifications
- Rust Prevention Coating Application



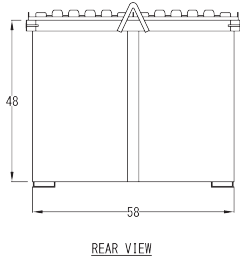
# REARLOAD CONTAINERS



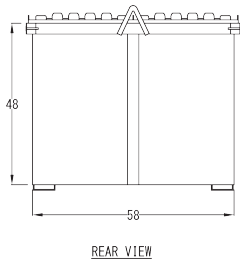
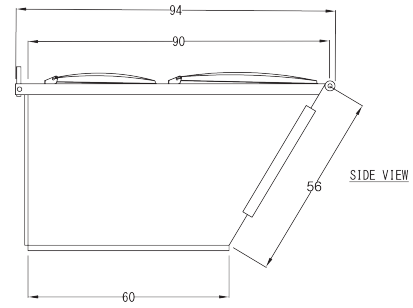
**2 YARD**



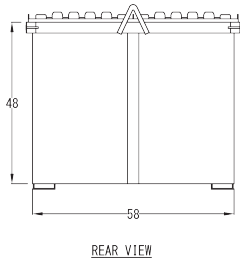
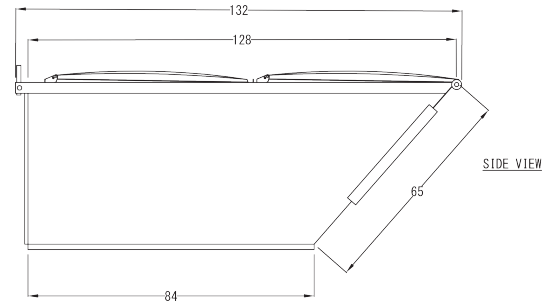
**3 YARD**



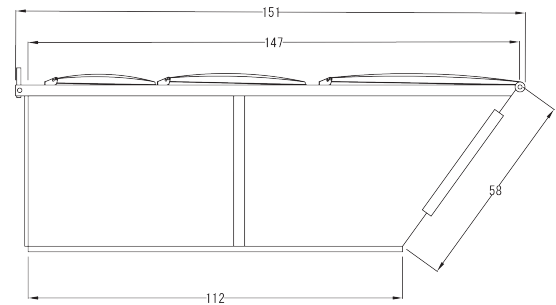
**4 YARD**



**6 YARD**



**8 YARD**



## STANDARD COLOR OPTIONS



Beige Light Gray Medium Gray Dark Gray Lime Green Forest Green Dark Green Dark Brown Yellow Orange Red Maroon Box Gang Blue Medium Blue Dark Blue Black



16736 E. Hardy Rd. Houston, TX 77032 | 713-742-5555

WWW.BOXGANGMFG.COM